

EuroLine

MODULAR

ST20•40, ST30•40, ST35•40

Technical Manual

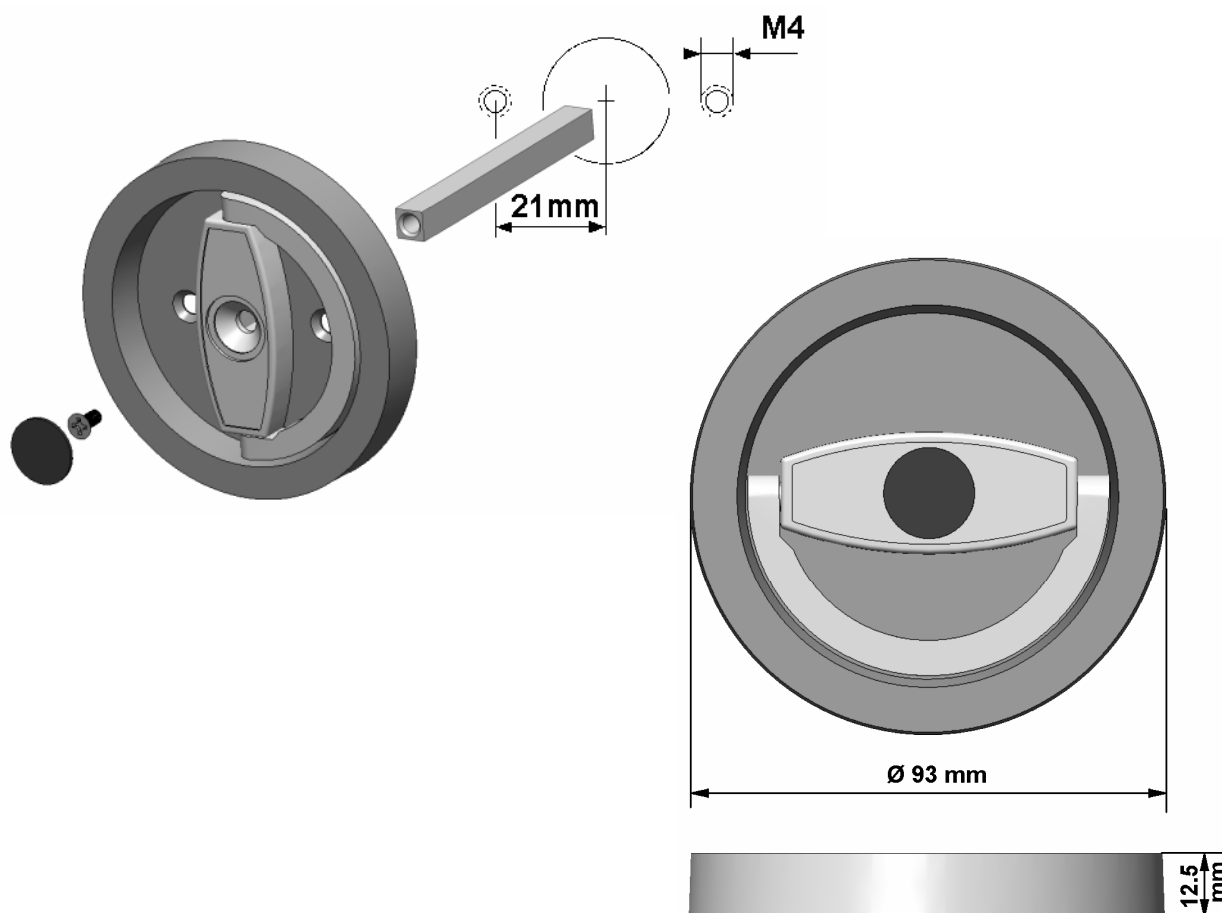


CHARACTERISTICS

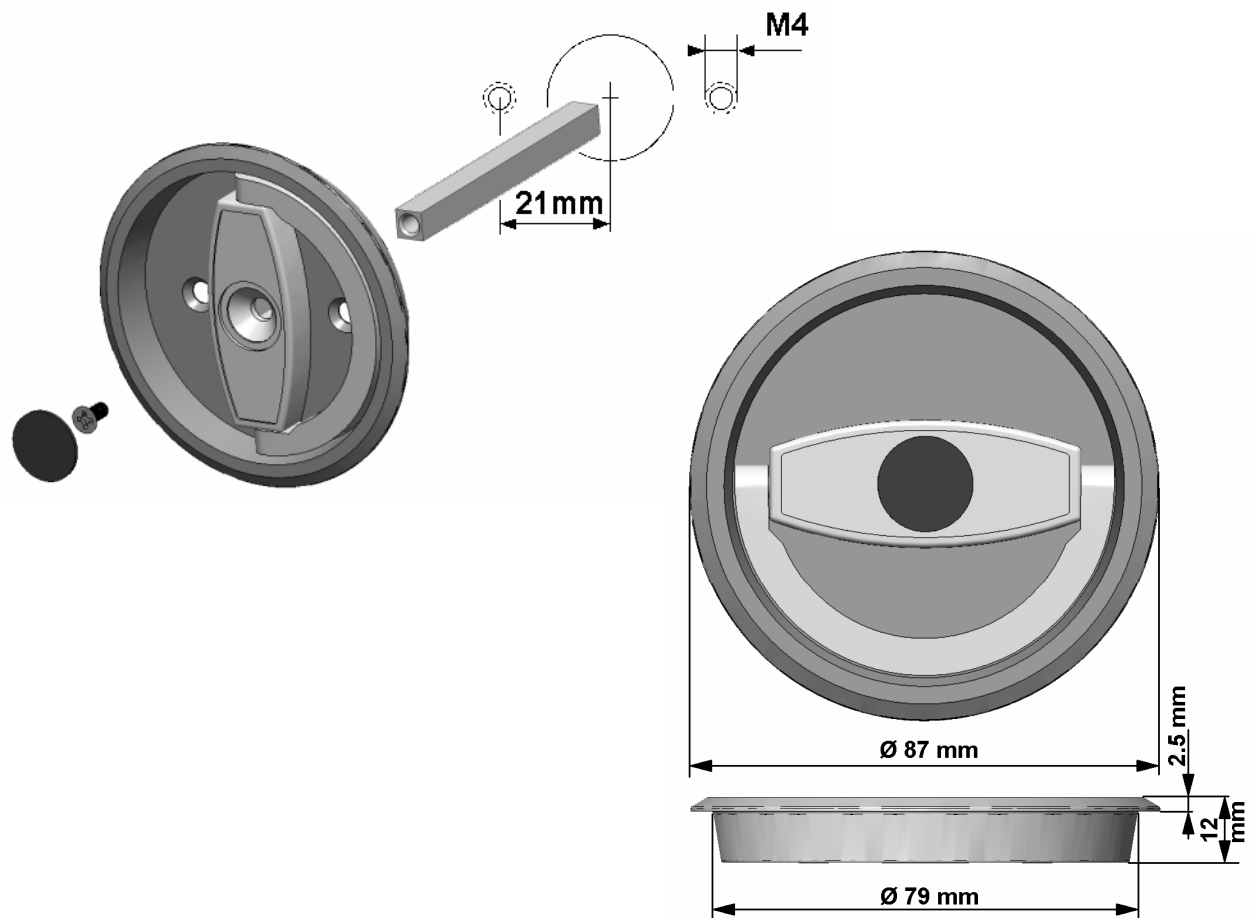
The height of the EuroLine “Modular” Series is very low. ST35•40 further reduces the height as it is recessed and almost flush with the door surface. The handle is made from metal with a mat chrome finish. The plastic base unit is available in mat chrome (ST20•40) or black (ST30•40, ST35•40). The 8x8 mm square shaft can be used in conjunction with a boltwork or the DirectDrive lock (EM15•20). The pull handle set is delivered pre-assembled.

DIMENSIONS / MOUNTING INSTRUCTION

ST20•40 Mat Chrome, ST30•40 Black



ST35-40 Flush Mount, Black only



Cut the 8 mm square shaft to an appropriate length. The shaft should engage approximately 15mm into the lock or boltwork. Affix the shaft in the handle with the provided screw and cover the screw with the label. Turn boltwork or lock into "OPEN" position. Push the complete unit as shown in the picture into the locking mechanism and fasten it with two M4 or 8-32" flathead screws.

Additional Protection from Shaft Pull-Out--Earlier Version (not pre-assembled)

Cut the 8 mm square shaft so it sticks out 5-8 mm of the boltwork and apply an 8x8 mm star washer to provide additional protection from pulling out the shaft. If used with a DirectDrive lock, the star washer is placed between mounting surface and lock. Please also see the lock mounting instructions. This instruction also applies for an earlier product version that was sold un-assembled.