

EuroLine

ST20•30, ST30•30 Technical Manual

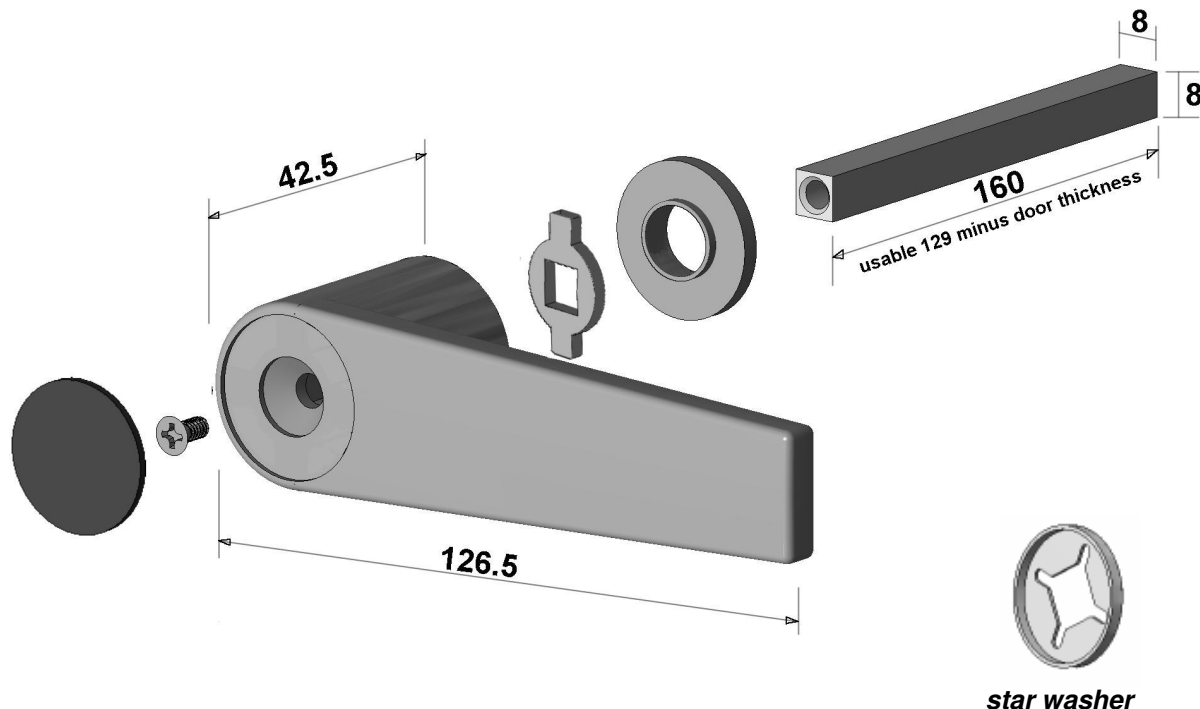


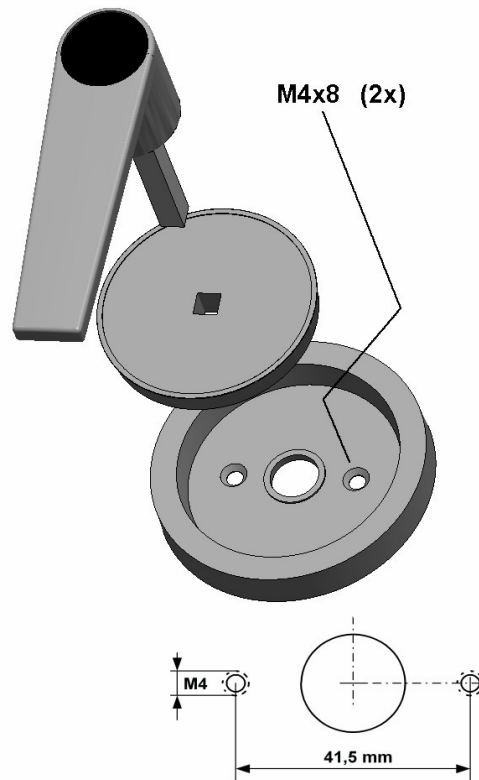
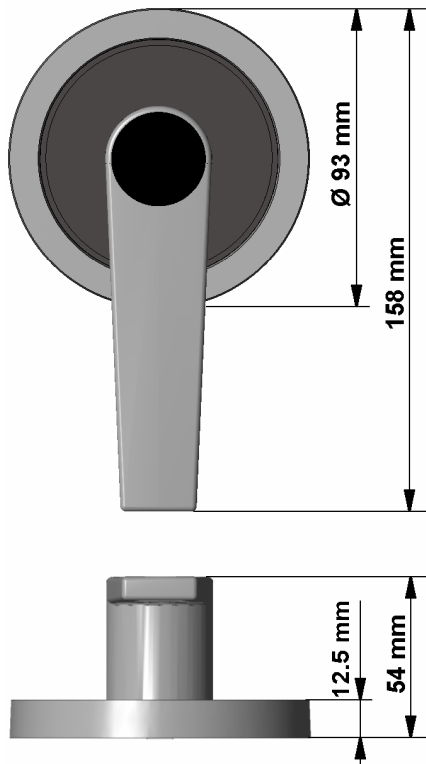
CHARACTERISTICS

The Large Handle with 8x8mm square shaft can be used in conjunction with a boltwork or the DirectDrive lock (EM15•20). The handle is made from metal with a mat chrome finish. It features an integrated break-away that triggers when too much force is applied. The plastic base unit is available in two variations: mat chrome (ST20•30) or black (ST30•30).

DIMENSIONS / MOUNTING INSTRUCTION

Cut the 8 mm square shaft to an appropriate length. The shaft should stick out of the boltwork 5-8 mm and is secured by using the star washer. **Note:** It is recommended to deburr the shaft after cutting so it is easier to apply the star washer. If used with the DirectDrive electronic lock, the shaft should engage approximately 15mm into the lock. Assemble the handle as shown below. Affix the shaft in the handle with the provided screw and cover the screw with the label.





Mount the base unit with M4 flathead screws.

Insert the shaft plate into the base unit and push the shaft into the boltwork or lock as shown in the picture on the right.

If used with boltwork: Put the star washer on the end of the shaft and push it down. This secures the shaft from being pulled out.

If used with DirectDrive: Star washer is placed in most cases between mounting surface and lock. Please see the lock mounting instructions.