

# EuroLine

## EC10-70 Technical Manual

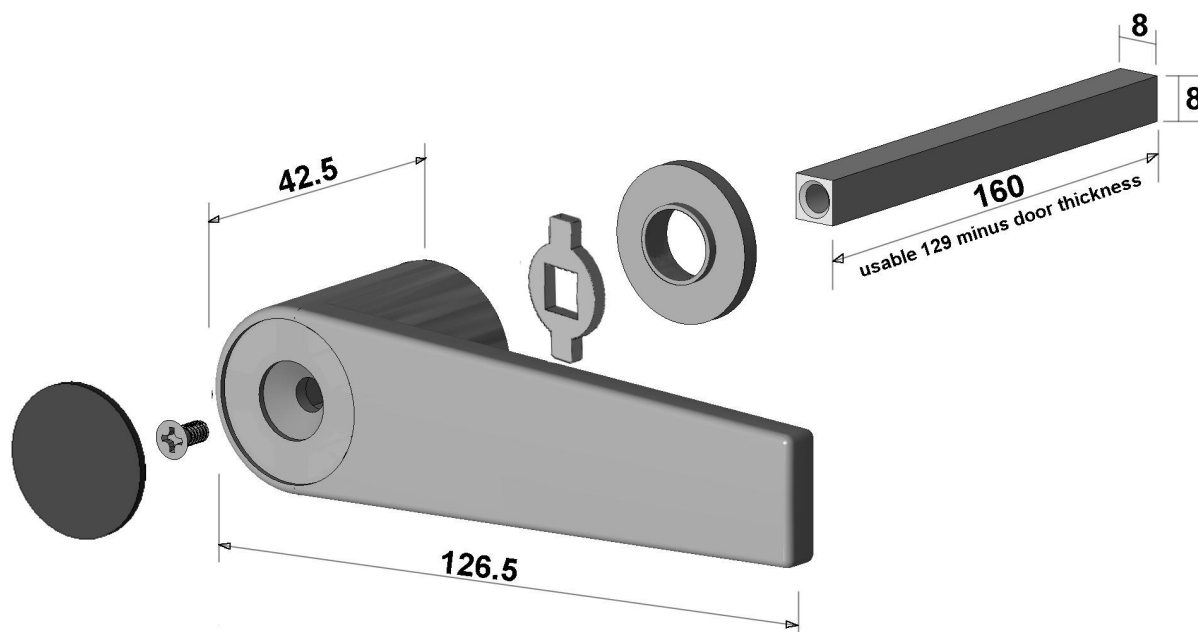


### CHARACTERISTICS

The EuroLine series was specially developed for safes which have two thru holes, 100 mm apart. The plastic housing of the EuroLine Entry unit combines an alphanumeric membrane keypad with a large boltwork handle. The 8x8 mm square shaft of the handle drives either the EM15•20 lock or a boltwork. This unit requires a separate battery box. Battery terminals in the front of the keypad are provided in case batteries are completely depleted. Cable length is approximately 30 cm.

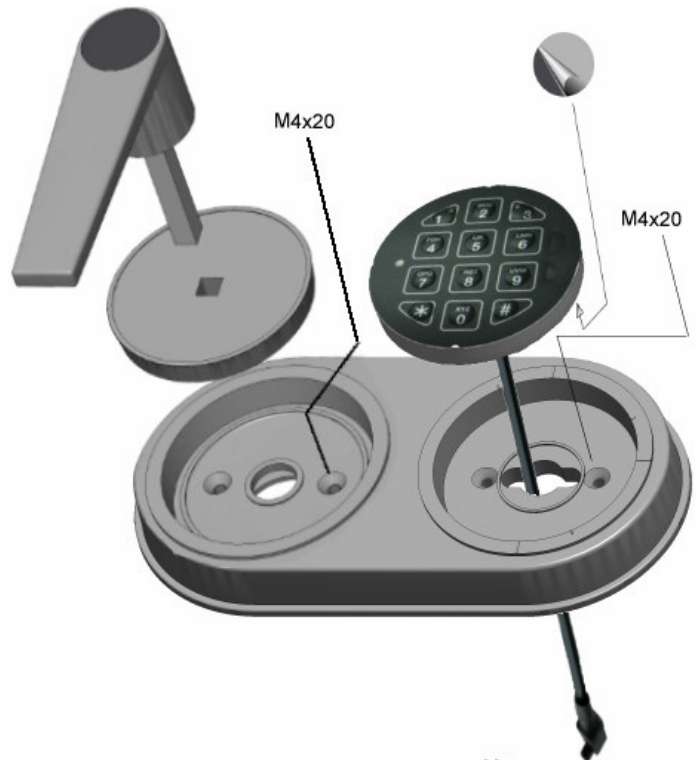
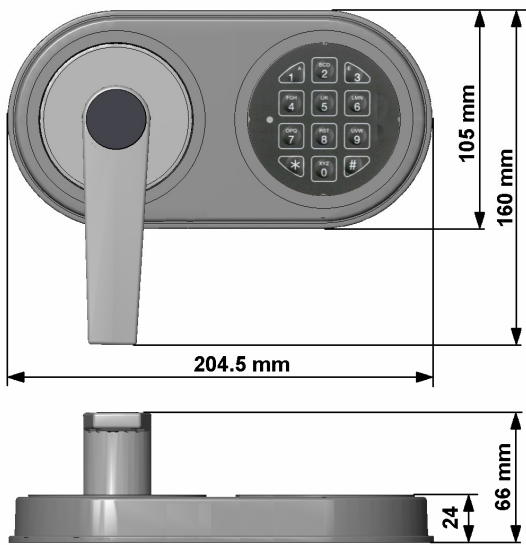
### DIMENSIONS / MOUNTING INSTRUCTION

Cut the 8 mm square shaft to an appropriate length. It should stick out of the boltwork 5-8 mm and is secured to the boltwork with the star washer. If the handle drives the EM15•20 lock, cut the shaft to door thickness +20 mm (+/-2 mm). The star washer is placed between the lock and the safe door. Assemble the handle as shown below. Affix the shaft in the handle with the provided screw and cover the screw with the label.

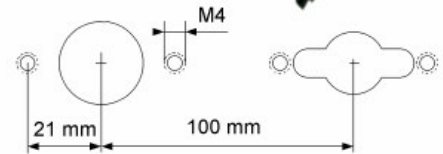


*star washer*

The diameter of the cable hole should be minimum 9 mm, maximum 12 mm. The spindle hole should be maximum  $\varnothing$  13 mm. Both holes must be deburred well to avoid damage.

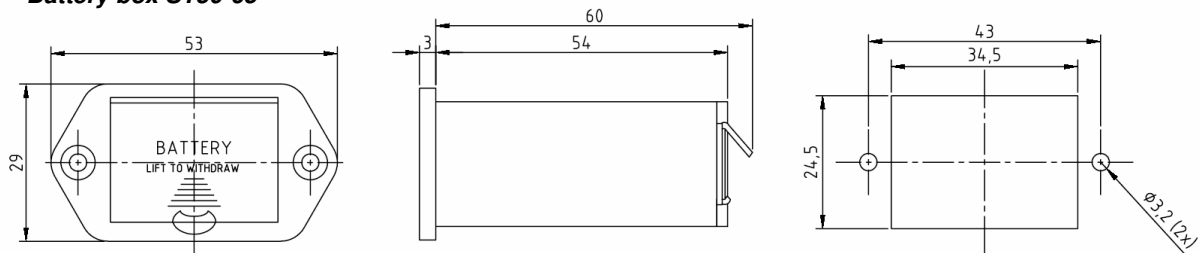


Adjust position and mount the entry unit with M4 flathead screws. Insert the shaft plate into the housing and push the shaft into the lock. If the handle drives a boltwork, put the star washer on the end of the shaft to secure the handle.



**Battery box ST50-65**

Keep the inside of the housing clean (remove dust). Route the cable through the cable hole. Route the battery cable in the opposite direction through the cable hole and push the white connector into the receptacle on the circuit board. Make sure the connector is completely seated.



SIZE OF CUT-OUT

Remove the protective layer from the adhesive ring on the back of the keypad unit. Position the keypad and press it into the housing. **Make sure the surfaces are dry and clean, and no cables are in the way. Do not remove and re-apply keypad once it has been glued in the housing!**

Only use 9V-ALKALINE batteries from brand name manufacturers like DURACELL.