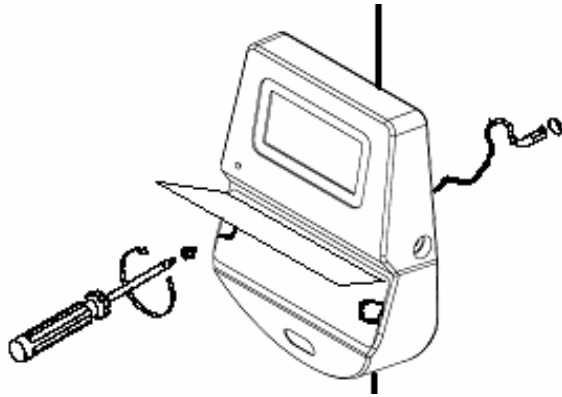


in combination with SwingBolt Lock Mounting Instructions

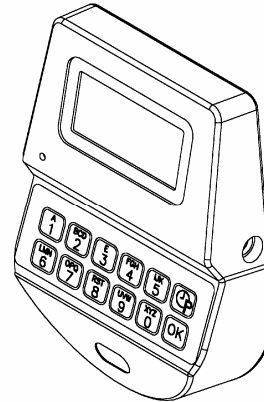


1.



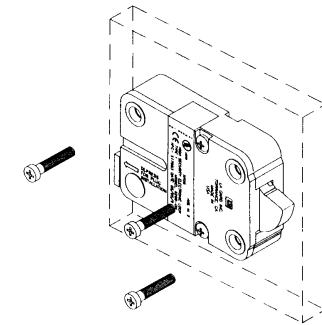
Lift the keypad so that you can see the mounting holes. Carefully feed the entry cable through the front of the safe door. It is important to watch for pinching between the housing and the safe door. A pinched cable can lead to entry malfunctions. Install the two screws, paying close attention to cables.

2.



Remove adhesive film from keypad and line up margins carefully before affixing it.

3.



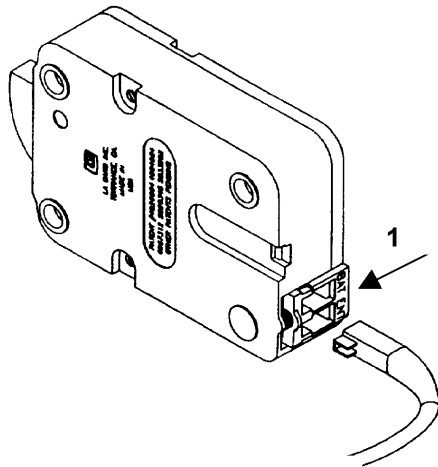
Prior to mounting the lock, you will need to decide which way the lock will be mounted (left or right handed). Please note that all four mounting orientations are possible, vertical up, vertical down, left hand, right hand.

The lock should be mounted using the three (3) US 1/4"-20 mounting screws from the hardware pack provided with the lock (or M6 screws). You should securely fasten all remaining cable down to avoid damage to cable by moving parts.

in combination with SwingBolt Lock Mounting Instructions

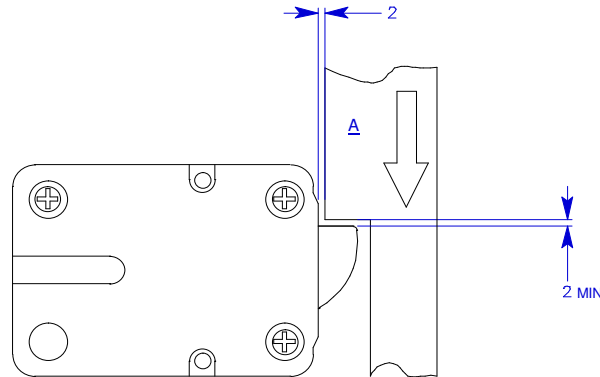


4.



Press on snap connector (1) and insert cable into "ENT" position, see figure.

5.



When mounting make sure you have space between the bolt work and the bolt of the lock. Bolt work cannot come right up to the lock bolt. Enter the manager code of 1-2-3-4-5-6 and make sure the bolt functions correctly.

The blocking part "A" of boltwork should exert pressure on the entire width of the lock bolt. In the locked position the boltwork **MUST NOT** place pressure on the lock bolt. NOTE: In case of boltwork construction where blocking parts are moving opposite one another, the one facing round side of the lock bolt "B" should be cut-off to avoid jamming of lock bolt.

6.



Connect 9-Volt Alkaline Battery to the battery clip. Insert battery into the bottom of the entry housing. Install the battery cover in place by placing one side of the cover in position and pressing the other side into position with your finger. Test the unit operation by entering a valid code.