

EuroLine Compact

KL15-40 Technical Manual

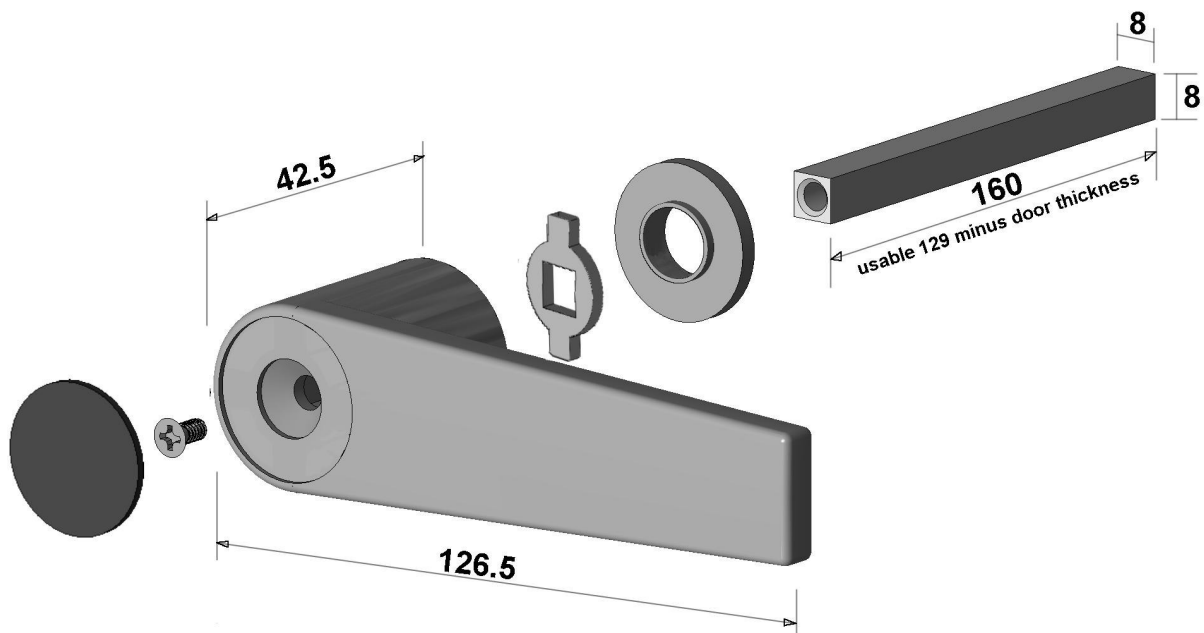


CHARACTERISTICS

The EuroLine Compact series was specially developed for safes which have two thru holes, 100 mm apart. The plastic housing of the EuroLine Entry unit combines a key hole escutcheon with a large boltwork handle (metal). The 8x8 mm square shaft of the handle drives the boltwork. The pictures show the most common usage but the unit can be used mirrored and also vertical.

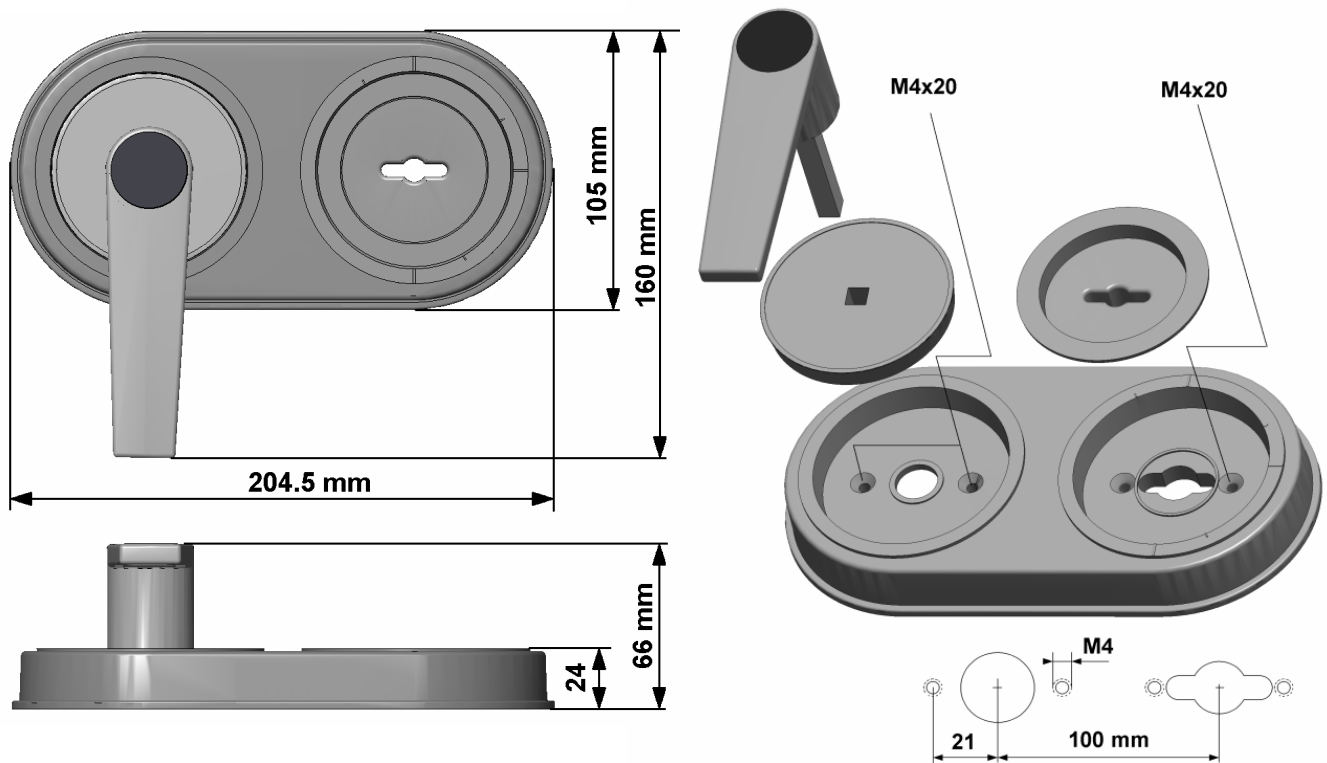
DIMENSIONS / MOUNTING INSTRUCTION

Cut the 8 mm square shaft to an appropriate length. The shaft should stick out of the boltwork 5-8 mm and is secured by using the star washer. Assemble the handle as shown below. Affix the shaft in the handle with the provided screw and cover the screw with the label.



star washer

The spindle hole should be maximum \varnothing 13 mm.



Mount the entry unit with M4 or 8-32" flathead screws.

Push the shaft into the boltwork as shown in the picture on the right. Put the star washer on the end of the shaft and push it down to the boltwork.