

# EuroLine Compact

## KL10•40 Technical Manual

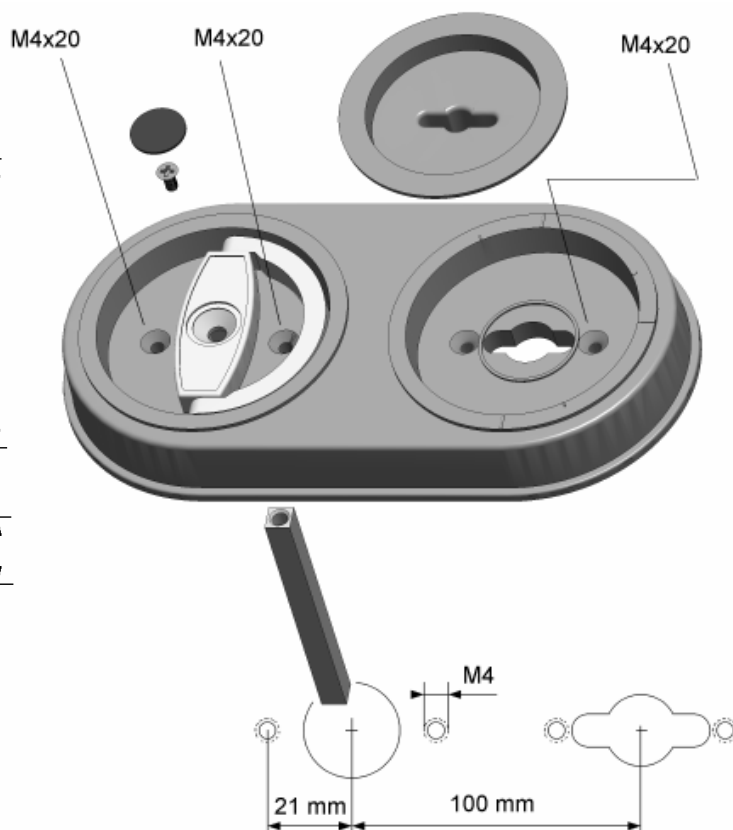
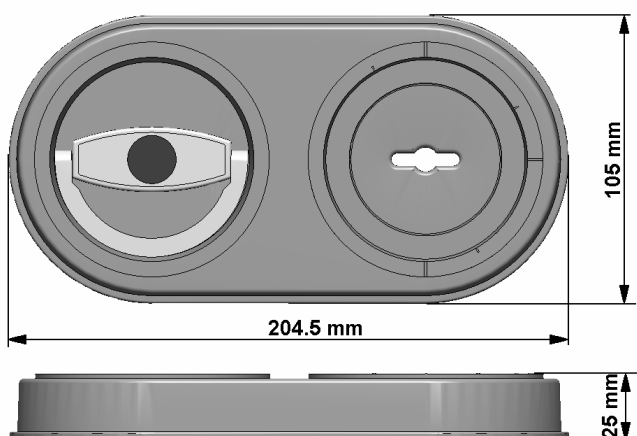


### CHARACTERISTICS

The EuroLine Compact series was specially developed for safes which have two thru holes, 100 mm apart. The plastic housing of the EuroLine Entry unit combines a key hole escutcheon with a pull handle (metal). The 8x8 mm square shaft of the pull handle drives the boltwork. The pictures show the most common usage but the unit can be used mirrored and also vertical.

### DIMENSIONS / MOUNTING INSTRUCTION

The spindle hole should be maximum  $\varnothing$  13 mm.



Cut the 8 mm square shaft to an appropriate length. Make sure the shaft drives the boltwork not just with the tip. Affix the shaft with the provided screw in the handle and cover the screw with the label. Push the shaft into the boltwork as shown in the picture on the right. **Lock and boltwork must be in the “OPEN” position.**

Adjust position and mount the entry unit with M4 flathead screws. In case of vertical mounting we suggest to use one-way security screws.