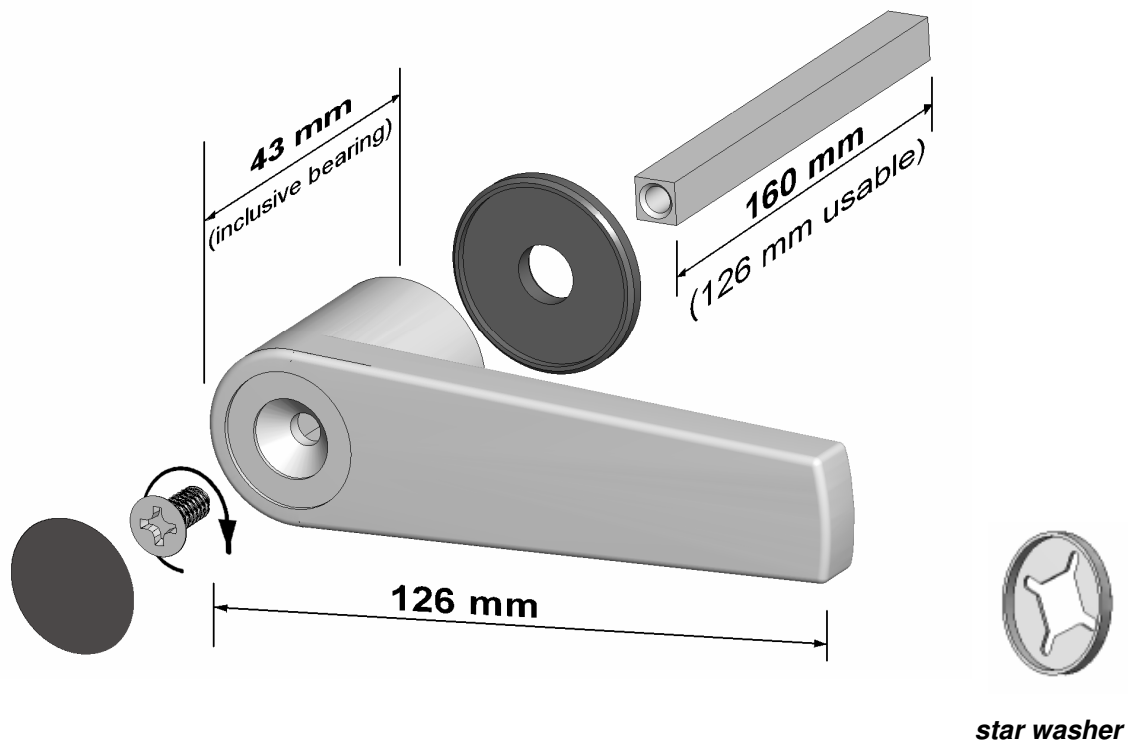


HA10 Boltwork Handle

DIMENSIONS / MOUNTING INSTRUCTION

Cut the 8 mm square shaft to an appropriate length. The shaft should stick out of the boltwork 5-8 mm and is secured by using the star washer. **Note:** It is recommended to deburr the shaft after cutting so it is easier to apply the star washer. If used with the DirectDrive electronic lock, the shaft should engage approximately 15mm into the lock. The through hole in the door front should be widened to 15 mm, 3 mm deep to provide a loose fit for the bearing. Assemble the handle as shown below. Affix the shaft in the handle with the provided screw and cover the screw with the label.



If used with boltwork: Insert the handle with the shaft into the boltwork. Put the star washer on the end of the shaft and push it down. This secures the handle from being pulled out.

If used with DirectDrive: Star washer is placed in most cases between mounting surface and lock. Please see the lock mounting instructions.